



TOURER 8.5



USER MANUAL

LANGUAGE	GB	USER'S MANUAL DOWNLOAD
SPRACHE	D	LADEN SIE DIE BEDIENUNGSANLEITUNG
LENGUA	E	DESCARGAR EL MANUAL DE INSTRUCCIONES
LANGUE	F	TÉLÉCHARGER LE MANUEL D'INSTRUCTION



www.nextreme.it/manuals/



Revision: 00

Edition: 04/21

code GRG-300



The Tourer 8.5 electric scooter is a two-wheeled electric vehicle with footboard and control rod. Although it is a high-tech product, its incorrect or unsuitable use may cause serious injuries. Carefully read and keep the warnings for future reference in order to minimise any type of risk.

WARNINGS

- Remove all packaging parts and any other component not part of the product before use.
- This product is not a toy. Use by minors must be carefully considered and authorised by parents or a responsible adult.
- Use of the electric scooter is not recommended for pregnant women and people with motor disabilities.
- Keep out of reach of children under 3 years of age as it contains small parts – CHOKING HAZARD.
- Always wear the protective equipment (helmet properly fastened, knee pads, elbow pads, wrist guards and hand guards). Make sure the protections are certified. It is recommended to have an adult help put on the protections.
- Wear reflective/retroreflective clothing or safety devices.
- Wearing suitable rubber-soled shoes, long sleeves and long trousers may prevent scratches and abrasions.
- Always turn on the lights.
- Use the bell on the handlebar to signal your presence to people or other vehicles.
- Use the electric scooter on flat, even, dry and unobstructed terrain, away from pedestrians and vehicles.
- Do not use the electric scooter to climb or descend steps.
- It is strictly forbidden to remove your hands from the handlebars while driving.
- The user is advised to carefully check the road traffic regulations of the country in which the electric scooter will be used.
- Do not use the electric scooter at night, in traffic.
- Use of the electric scooter in the presence of ice or snow, or on rough terrain, with the presence of stones, branches or other types of vegetation or obstacles that may compromise the control of the vehicle is not permitted.
- Use of the electric scooter during rainy days or in any case during bad weather or poor visibility is not permitted.
- It is strictly forbidden to use the electric scooter in environments containing flammable substances or gases.
- Do not have any vehicles pull you.
- Do not use the electric scooter to perform jumps and tricks, to turn on the spot for a prolonged time and to swerve sharply at high speed as it poses a danger to the user. Furthermore, the components of the electric scooter are not suitable for these techniques and may suffer damage.



Using the electric scooter without adequate preparation and training to acquire the proper techniques may lead to injuries including serious ones. Beginners are recommended to learn with the help of an expert.

- Periodically check the integrity of its components.
- Do not perform any modifications, as they may compromise the safety of the electric scooter
- Do not use the electric scooter if tired and/or sleepy and/or under the influence of alcohol, drugs or other substances that may affect the user's reflexes.
- Do not carry objects during use.
- While driving, make sure that both feet are positioned correctly on the footboard, do not place your feet on the mudguards to prevent damaging these components and losing control of the vehicle.
- Do not place any object on the footboard with the exception of your feet.
- While driving, pay attention to objects around you. Having a clear view of the space is crucial for maintaining control of the electric scooter.
- The electric scooter is built to only carry a single person. Use by multiple people at the same time is prohibited.
- Do not accelerate and stop the vehicle suddenly or in an excessively abrupt manner; such behaviour may cause you to lose control of the vehicle.
- Do not attempt to brake by pressing the rear mudguard with your foot.

- The disc brake develops heat during use. Do not touch the disc brake with your hands or other parts of your body after using the electric scooter.



- Make sure that the speed of the scooter is always such as to allow you to stop at any time and situation.
- Do not get on or off the electric scooter while moving.
- The user is responsible for all consequences resulting from misuse of the electric scooter.
- The Supplier and the Seller are not responsible for any damage to objects and/or harm to people caused by misuse of the electric scooter.

CHECK THAT THE BATTERY IS FULLY CHARGED BEFORE USE.

DECOMMISSIONING – DISPOSAL



The crossed-out wheeled bin symbol indicates that the products marketed fall within the scope of the European RoHS Directive for the disposal of electrical and electronic waste (WEEE).



The CE marking indicates that the product is fully compliant with the RoHS directive 2011/65/EU and none of the electrical and electronic components incorporated into the product contain levels of certain substances deemed dangerous for human health higher than those required.

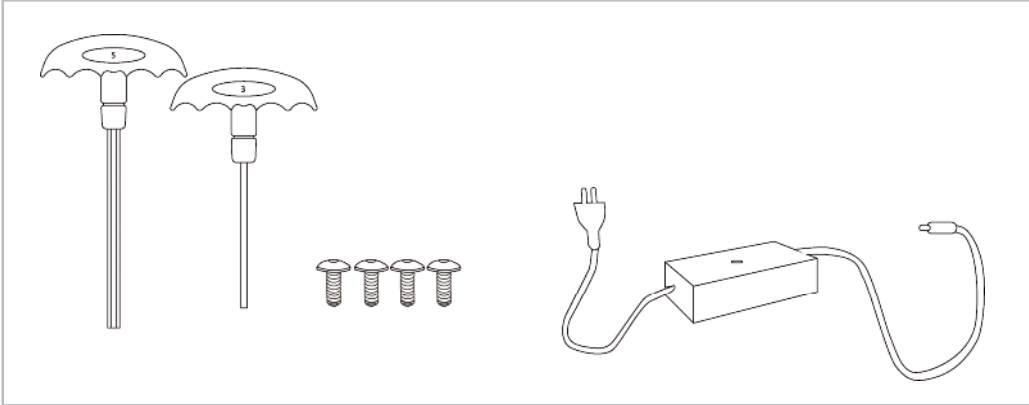
This product must NOT be disposed of as urban waste, but must be disposed of separately (in the states of the European Union), delivering it to the collection centres in charge of the disposal and recycling of such products.

Garlando S.p.A. encourages respect for nature and human health even outside of the European Union and hopes that local regulations on disposal and recycling will be complied with, using, when possible, separate collection of electrical and electronic equipment, as well as of the various components (such as iron, copper, plastics, etc...) that can be recovered and reused.

KEEP THE USER MANUAL AND THE ORIGINAL PACKAGING FOR FUTURE REFERENCE AND USE.

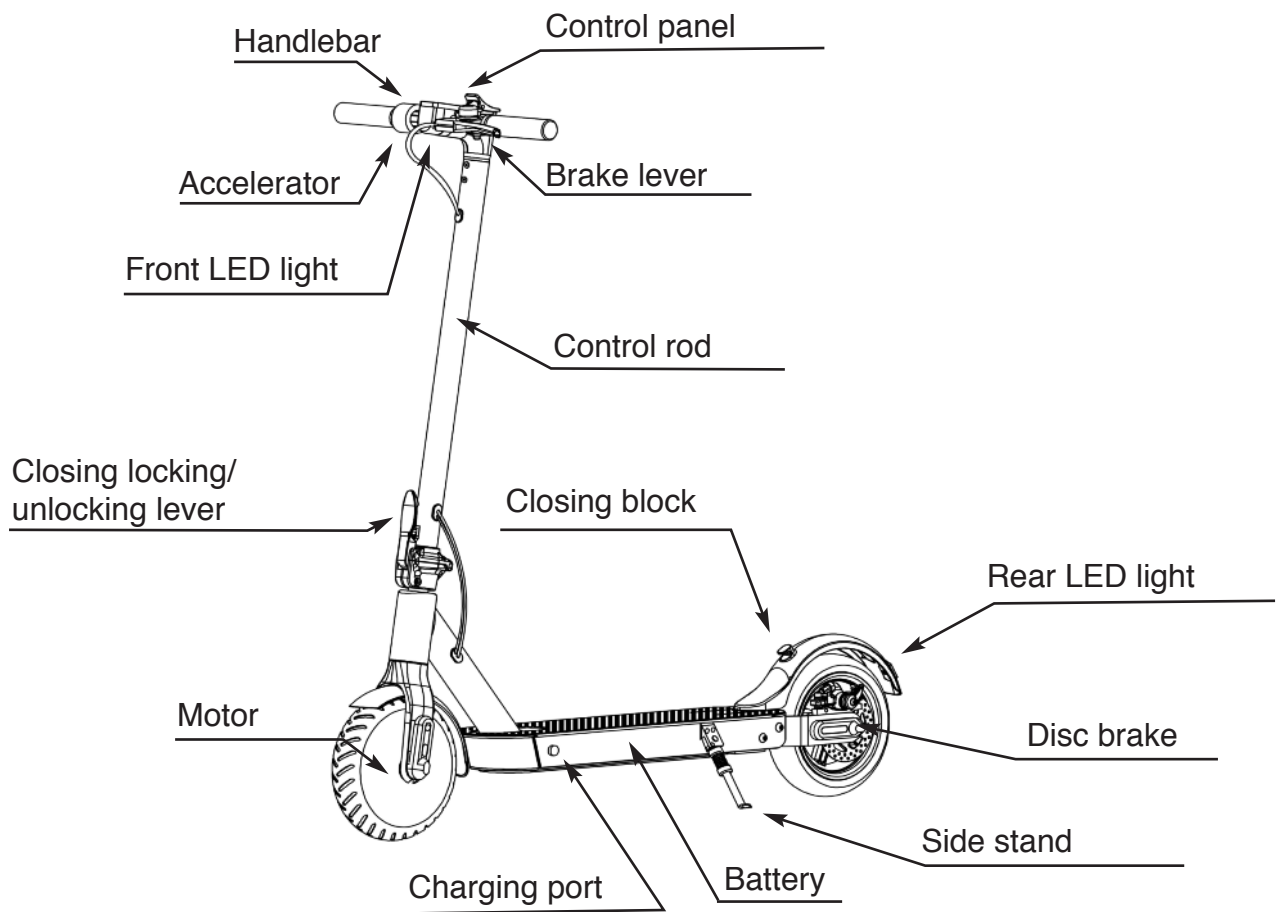
CONTENTS

DESCRIPTION	Q.TY
Allen key M5	1
Allen key M3	1
Screw	4
Power supply	1



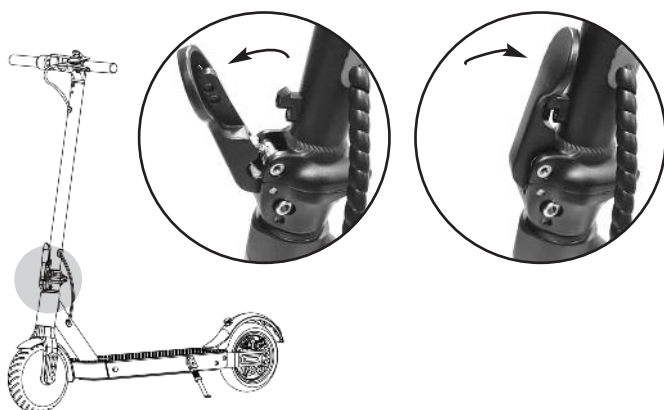
Carefully check that the contents of the package are intact.

FUNCTIONS

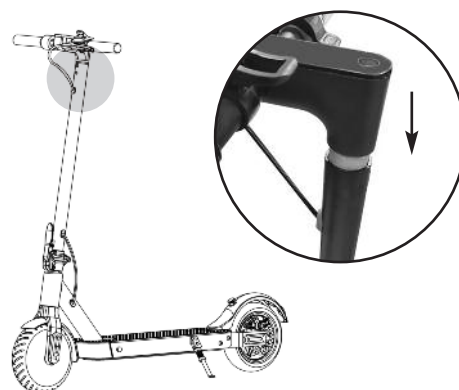


PRODUCT ASSEMBLY

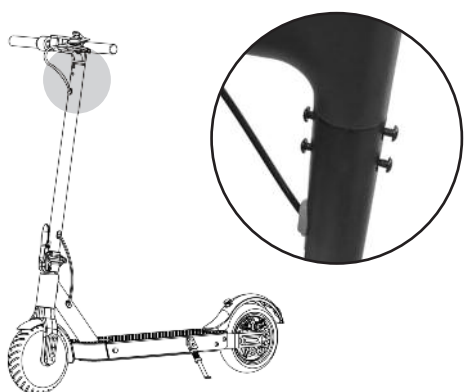
1. Secure the electric scooter control rod by pressing the closing locking/unlocking lever against the rod until you hear a click. Stabilise the vehicle on the side stand.



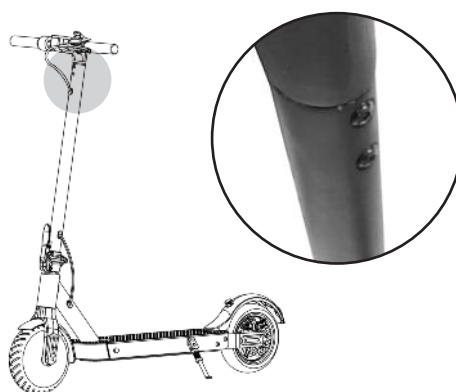
2. Insert the handlebar into the upper part of the control rod.



3. Secure the handlebar with the 4 screws supplied, using the M3 Allen key included.



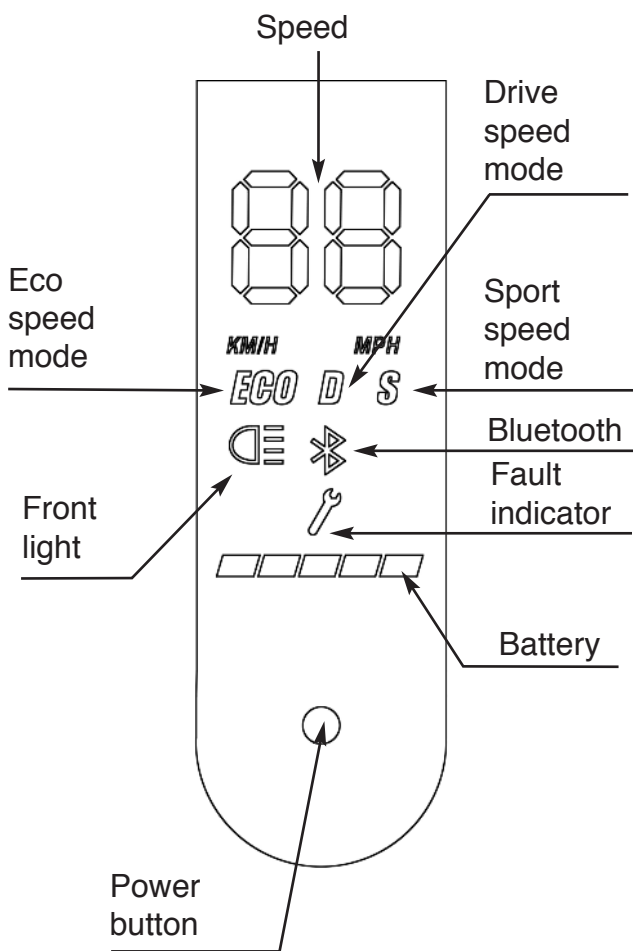
4. Once assembly is complete, the electric scooter is ready to be used. Carefully read the warnings contained in this manual.



TECHNICAL DATA

Wheels	diameter 21.6 cm (8.5 ") anti-puncture honeycomb
Motor power	300W
Maximum speed	up to 25 km/h with 3 speed modes (6-20-25 Km/h)
Cruise control	with display of battery level indicator, current speed, speed mode selected, lights and Bluetooth
Maximum incline	up to 15°
Battery	Lithium-Ion 6,000 mAh
Autonomy	up to 20 km
Charging time	Approximately 4 hours
Battery charger	UL, CE-EMC, CE-LVD, GS, ROHS, REACH certified with red/green LED charge indicator
Double braking system	electric brake + disc brake with handlebar lever
Rear wheel	suspension
Aluminium	structure
Space-saving folding	114x15x40.5 cm
Rubber	handles with ergonomic non-slip grip
Safety LED lights	white at the front and red with reflector on the rear
Equipment	bell, side stand, Bluetooth. MiniRobot App included. App with an easy and intuitive layout displaying the main data (remaining battery level and current speed), option to set speed limits, energy saving function and driving mode. Information menu with detailed information on distance, battery, speed, app, Bluetooth and firmware.
Recommended maximum user weight	100 kg
Instructions	in Italian included. Multilingual (EN/FR/ES/DE) downloadable online
Packaging	cardboard with poster
Certifications	CE-EMC, CE-LVD, CE-MD, ROHS

CONTROL PANEL



Speed display

Shows the driving speed in Eco mode 6 km/h, Drive 20 km/h or Sport 25 km/h.

Battery indicator

5 lights on – charge level between 100 and 80%,
4 lights on – charge level between 80 and 60%,
3 lights on – charge level between 60 and 40%,
2 lights on – charge level between 40 and 20 %,
1 light on – charge level between 20 and 10%,
flashing lights – charge level between 10 and 0%. When the battery has run out, the 4 lights are off and the electric scooter will continue until it stops by inertia, recharge it before use.

Power button

Press the power button to turn on the vehicle. The default drive mode will activate: Eco 6 km/h (speed indicator with green light). Briefly press the button twice consecutively to switch from Eco to Drive mode (speed indicator with blue light). Press the button twice once more to switch from Drive to Sport mode (speed indicator with blue light). Pressing the button twice again will return to Eco mode. Press and hold the button for about 2 seconds to turn off the electric scooter.

Cruise control

Cruise Control mode allows you to automatically adjust the vehicle's pace to a predefined speed. Press the power button to activate Cruise Control mode. Use the acceleration lever until the chosen speed is reached. Keep the acceleration lever in this position for 5 seconds, until you hear a beep. To disable this mode, simply use the brake lever or the acceleration lever.

Fault indicator

If the light turns on, turn off the electric scooter and contact assistance.

MINIROBOT APP - QUICK START GUIDE

FIRST USE



Incorrect or improper use of the electric scooter may cause serious injuries. In order to minimise any type of risk, carefully read all the warnings and instructions contained in the App and in this manual. Check the minimum device requirements directly on the Google Play Store and App Store when downloading the App.

DOWNLOADING AND INSTALLING THE MINIROBOT APP



Google Play Store
Android devices



App Store
iOS devices

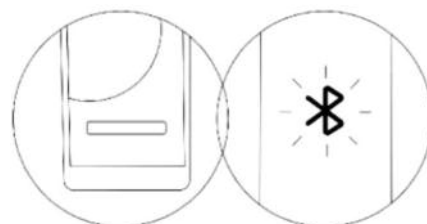
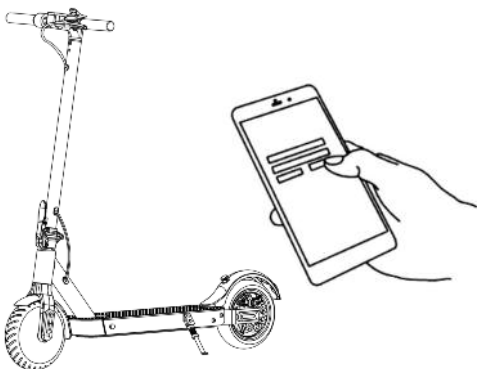
Alternatively, you can directly access the Google Play Store (Android) or Apple Store (iOS), search for “MINIROBOT” and download the App.

Then install the MINIROBOT App on your device.

PAIRING DEVICES

1. Turn on Bluetooth on your device and move closer to the electric scooter.

2. Press the power button on the electric scooter. Make sure GPS is enabled, the search for available Bluetooth devices will start automatically. Launch the App.



3. Enter the alphanumeric code that will be displayed on the App screen on your device. Once pairing is successful, the electric scooter will emit an acoustic signal and simultaneously display the App's home page.



Carefully follow the instructions contained in the App to activate all functions of the electric scooter and to acquire all the information required to drive it safely.

Main screen



Settings



Information

Information	
Estimated remaining driving mileage	20.7Km
This driving mileage	0.4Km
Total driving mileage	2.8Km
Vehicle temperature	28.3°C
Total running time	2H 27M 12S
Current speed	0.0Km/h
Remaining power	--
Battery temperature	--
Battery status	0
Battery capacity	6AH
Electric current	0.0A
Voltage	38.6V
Power	0.8W
Error code	0
Warning code	0
Electric-control version	80.1.f (00030202)
Bluetooth version	4.8.3 (03)
App Version	9.6.4
Firmware upgrade	>

SAFE USE

Some practice is required to fully understand how this new means of locomotion functions; any experience riding bicycles, mopeds or other two-wheeled vehicles will make learning easier.

Carefully read the manual in all of its parts.

Before use, make sure that the wheels are properly assembled, in good condition and that no damaged mechanical parts are present.

Do not modify or replace mechanical parts; any modification may adversely affect the operation of the vehicle, damage it or cause it to behave abnormally and become unsafe.

During use, make sure that all necessary safety measures are taken and always wear a helmet, knee pads, elbow pads, wrist guards and hand guards.

• CAPACITY

The driver's weight must not exceed 100 kg and must not be less than 20 kg. Failure to comply with the weight limit may seriously jeopardise the safety of the driver, as well as overload the electric scooter and cause damage or breakdowns.

• SPEED

The maximum speed of the electric scooter is 25 km/h. Only experienced users are recommended to reach the maximum speed.

• AUTONOMY

The total distance that the electric scooter can travel varies based on the following factors:

- The terrain: on flat terrain, it increases, when uphill or downhill, it decreases.
- The weight of the driver
- Proper battery charging and maintenance
- Driving style: frequent acceleration and braking reduce battery life.

BATTERY

Comply with the following guidelines for the user's safety and to extend the battery life of the electric scooter.

- Do not use the electric scooter if the battery status indicator light is red.



- Dangerous substances or flammable gas mixtures may leak in the event of a damaged battery.
- Do not touch any substance leaking from the battery and do not insert any object inside of it. The battery contains hazardous substances. Contact your doctor immediately in the event of exposure to these substances.
- Avoid potential short circuits and mechanical damage to the battery.
- Do not open or disassemble the battery pack.
- Lithium batteries can explode if overcharged. Keep away from heat sources. Do not dispose of in a fire.
- Do not ride the electric scooter if liquid leaks from the battery.
- Keep the battery out of the reach of children and animals.
- It is forbidden to dispose of the battery in the environment.
- Do not ride the electric scooter if you smell electric overheating and/or in case of excessive heat.
- Do not use the electric scooter if the battery charger is still inserted.
- Only use the battery charger supplied. In the event of a malfunction, contact the service centre for replacement.
- Disassembly, maintenance and replacement of the battery must only be carried out by an authorised professional and with original spare parts. For any problem concerning the battery, contact the service centre (assistenza@garlando.it).

• BATTERY TEMPERATURE AND SPECIFICATIONS

- Lithium-ion battery
- Charge time approximately 4 hours
- 37 Volts
- 6 Ah Ampere
- Operating temperature -10°C – 40°C
- Storage temperature -20°C – 45°C

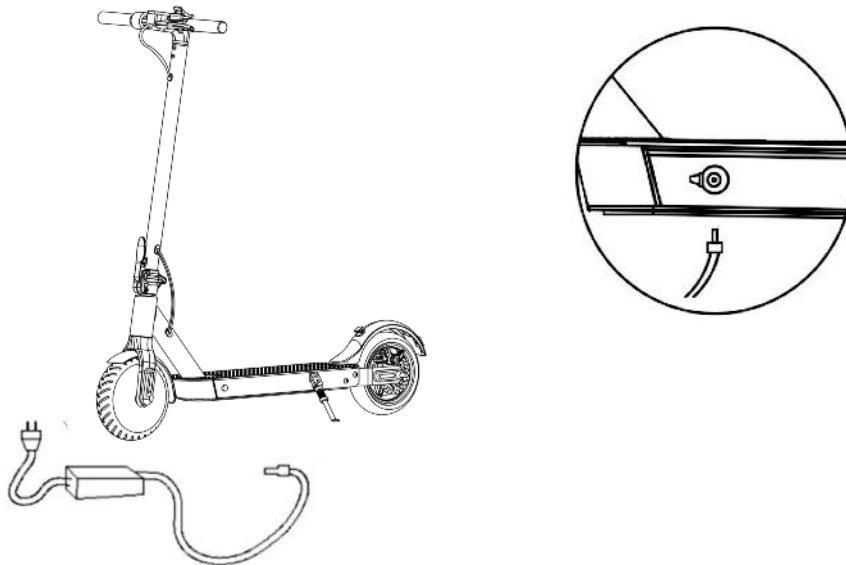
• BATTERY TRANSPORT



LITHIUM BATTERIES ARE CONSIDERED HAZARDOUS MATERIAL. THEIR TRANSPORTATION IS GOVERNED BY SPECIFIC LOCAL LAWS AND REGULATIONS.

- INSTRUCTIONS FOR CHARGING THE BATTERY

- Only use the battery charger supplied.
- Make sure the electric scooter is turned off and that the charging port on the side of the footboard is dry and free of dust and dirt.
- Connect the battery charger to the electrical mains (100V-240V; 50,60Hz).
- Check that the battery status indicator light is green.
- Insert the other end of the charger into the appropriate port on the side of the footboard of the electric scooter, after opening the rubber cover.



- The red light on the battery charger indicates that the battery is charging correctly.
- The red light turns green when the battery is fully charged.
- Then disconnect the battery charger and close the rubber cover of the special door on the side of the electric scooter footboard.
- Extending battery recharging beyond the time required may irreparably damage it.
- Always keep the charging contacts clean and dry.
- The charging time is approximately 4 hours.

USING THE VEHICLE

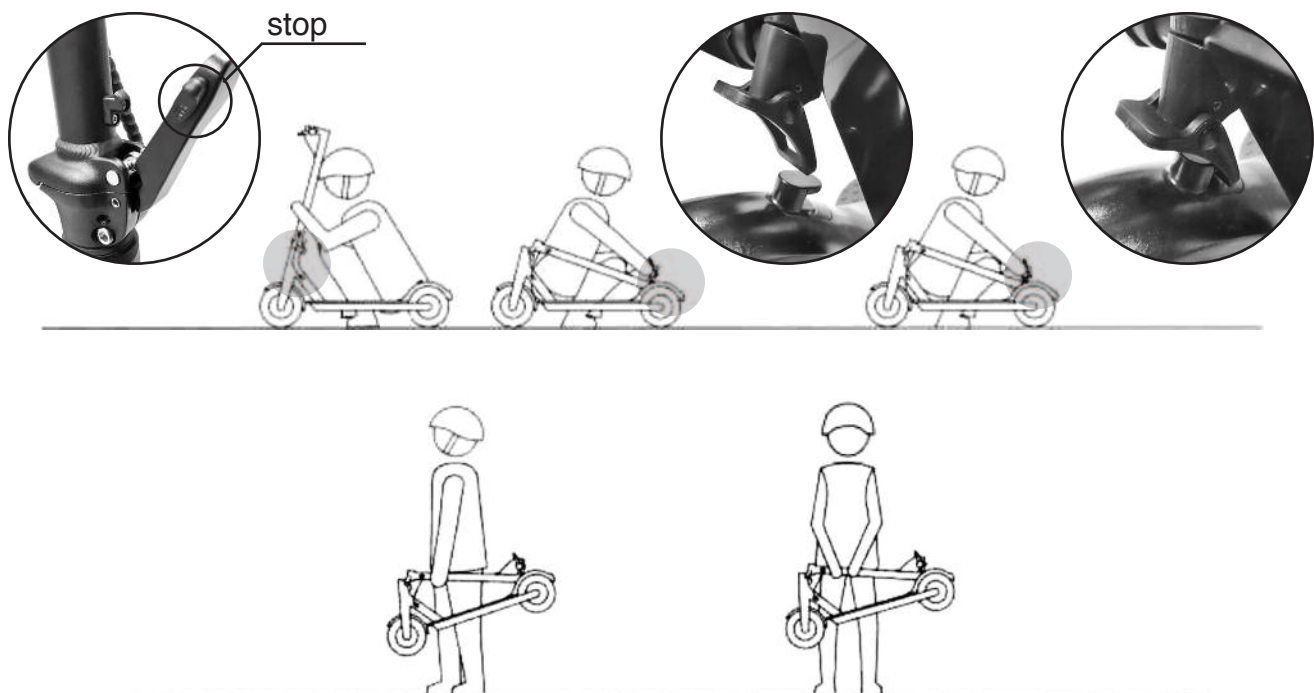
Place the electric scooter on a flat surface. Press the power button. Check the battery charge level. Do not jump on the vehicle. Firmly grasp both handles, push forward with one foot firmly on the ground, after placing the other on the front of the footboard parallel to it. Never place your front foot on the back of the footboard. Once in a balanced position, press the acceleration lever, after making sure that there are no obstacles or dangers nearby. Keep a safe distance from any other users or anyone around you. Start with small forward movements. When you feel confident and balanced, prepare to change direction by slowly turning the handlebar. Avoid abrupt and sudden movements. Do not spin for an extended time, it may cause dizziness or falls.

Do not use cellphones or other devices that may distract you while driving. Release the accelerator lever to slow down; use the brake lever located on the left side of the handlebar to brake. Make sure the vehicle is completely stopped before getting off.

CLOSING SYSTEM

Make sure the electric scooter is switched off. Lift the stop located on the left side of the locking/unlocking lever. Pull the lever towards you to free the control rod. Bend the rod towards the back of the electric scooter until the slot of the spring hook placed on the handlebar, to the right of the bell, fits into the corresponding locking block on the upper part of the rear mudguard.

Hold the control rod with one or both hands to transport the electric scooter.



OPENING SYSTEM

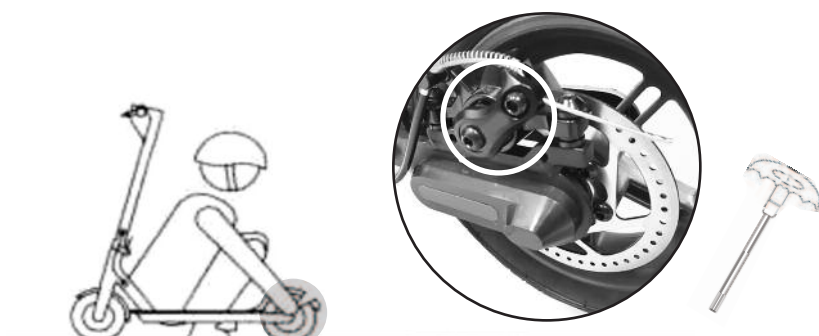
Press the spring hook located to the right of the bell to free the handlebar and raise the control rod to an upright position. Lock the control rod by pressing the closing locking/unlocking lever against the rod until you hear a click.

MAINTENANCE

Perform these simple cleaning operations after each use for better vehicle operation. Before proceeding, make sure that the scooter is turned off and the power cable is disconnected. Clean the outer shell with a soft, dry cloth. Do not use rough fabrics to prevent damage to the surface of the electric scooter.

The vehicle is splash resistant, however, it must not be used in the rain or immersed in water. Make sure that water or other liquids do not penetrate inside. This may cause permanent damage to electronic circuits and components.

If you think that the brakes are overly tight, it is recommended to adjust them by using the M5 Allen key supplied. For a more accurate adjustment, contact a bike mechanic.



If you feel any vibrations in the control rod, it is advisable to tighten the 2 screws located at the base of the locking/unlocking mechanism with an M6 Allen key (not included).



STORAGE

Store the vehicle in non-dusty environments. Make sure the battery is fully charged before storing the electric scooter. If long periods of inactivity are expected, discharge/recharge the battery at least every two months. Do not store the vehicle in damp or cold environments. Store indoors.

It is recommended to store the electric scooter in its original packaging or alternatively to cover it with a cloth. Dust may damage the internal components.



Warning: it is strictly forbidden to open the vehicle. In this case, the user is responsible for all the risks that may ensue. Any attempt to repair, tamper with or modify the electric scooter automatically voids the warranty.

WARRANTY

The product is covered by a 24 month warranty (12 months if invoiced to a VAT subject) from the date of purchase only for manufacturing defects. The battery is covered by a 6 month warranty.

The Consumer is required to prove the date on which the product was delivered, the name of the authorised reseller and the identification details of the product by means of a document issued by the authorised dealer (for example: receipt). Therefore, the aforementioned documentation, together with the Warranty, attached to this manual, must be duly stored for the Warranty to be valid.

The consumer is required to fill in the online Warranty Coupon on the site: www.assistenza.garlando.it for the warranty to be fully valid.

The Warranty includes the free repair or replacement of the component parts of the Product, which have conformity defects regularly and promptly reported by the Consumer by sending the Request for Assistance duly filled in and signed and attributable to an act or omission by the manufacturer. In accordance with the indications of the "Consumer Code", it is assumed that the lack of conformity occurred within SIX months from the delivery of the Product already existed on that date, unless this assumption is incompatible with the nature of the Product or the lack of conformity. Upon expiry of this period, it remains the responsibility of the Consumer to provide evidence of the existence of the lack of conformity at the time of delivery of the Product. The replacement of the entire Product or one of its components does not entail an extension of the Warranty. The Warranty shall expire at the end of the 24 months (12 months if invoiced to a VAT subject) from the date of delivery of the original Product.

• WARRANTY LIMITATIONS

The warranty in the aforementioned terms shall not be applied in case of:
lack of invoice or receipt.

Opening, tampering or repair by the user or other people, other than by the technicians authorised by Garlando s.p.a.

Misuse.

Incorrect maintenance and storage.

Use of non-original spare parts.

Need to replace parts subject to wear such as brakes, handles, lights, wheels, footboard...

The request for assistance, to report any lack of conformity, must be performed by filling out the appropriate form on the portal: www.assistenza.garlando.it or, if the online service is not available, by contacting the number 0143/318540 from 9 am at 12pm, from Monday to Friday.

The images and diagrams in this manual are provided purely for illustrative purposes.

Garlando s.p.a. reserves the right to modify data, designs, technologies and components without notice.



Garlando S.p.A.

Via Regione Piemonte, 32 - Zona Industriale D1
15068 - Pozzolo Formigaro (AL) - Italy
www.garlando.it - info@garlando.it